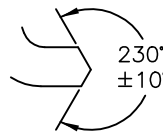
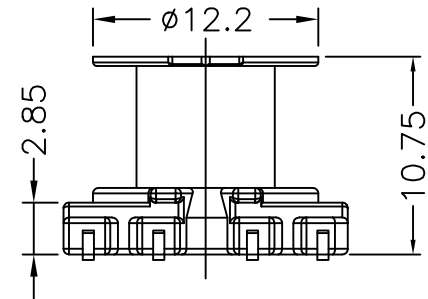
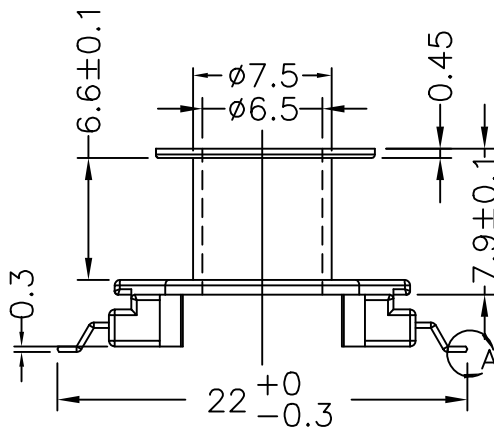
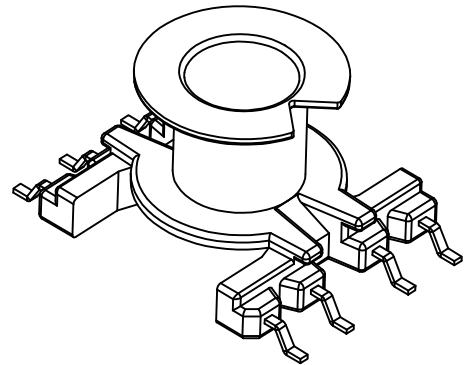
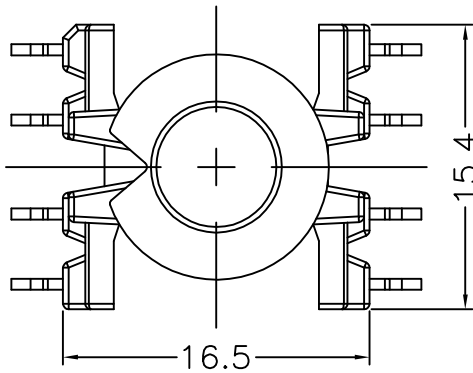


ELMER ENTERPRISE CO.,LTD.

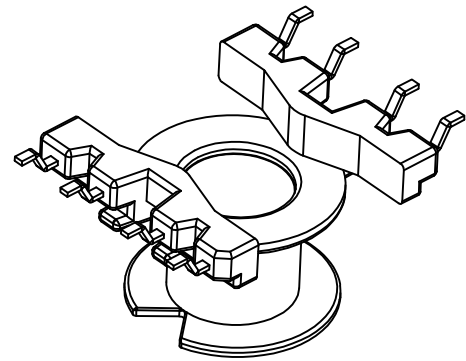
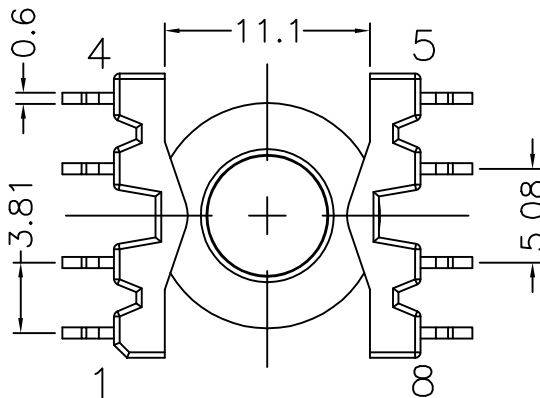
Phone 886-2-22596278 Fax 886-2-22574908
e-mail:elmermc@ms9.hinet.net

REVISIONS

| REV | SYM | DRAFTER | CHECKER | DATE |
|-----|-----|---------|---------|----------|
| △ | | T.S.LII | W.H.HSU | 12/11/02 |
| △ | | T.S.LII | W.H.HSU | 01/20/03 |
| △ | | T.S.LII | W.H.HSU | 08/15/03 |



DETAIL:A
PATENTED



| | | | | | | | | |
|---------------|--------------------|---------------------|--------------------|--|------|---------|--------------|--|
| PART NO. | RM6-8P-GW-3.81-A-1 | | | | | | | |
| DWG NO. | TBI-108-02011.1XX | | | | | | | |
| TBI NO. | MATERIAL (BOBBIN) | MATERIAL (TERMINAL) | TERMINAL (PLATING) | | .103 | ALL PIN | | |
| | | | | | .102 | ALL PIN | | |
| 108-02011.102 | PM-9630 | P.B | Sn/Pb | PART NO. | REV | MODE NO | PIN LOCATION | |
| 108-02011.103 | PM-9630 | P.B | Sn | Finish: 1-1. Immersion gold on terminal. Thickness gold 0.075 μm (3 μ inches) min, Base nickel 0.625 μm (25 μ inches) min. Immersion Sn on terminal. Terminal:Sn plating,100, 5 μm (200 μ inches) min Base nickel 0.625 μm (25 μ inches) min. 1-2. Immersion Sn/Pb on terminal. Terminal:Sn/Pb plating,90/10, 5 μm (200 μ inches) min Base nickel 0.625 μm (25 μ inches) min. (for pin GW type) 2. Coplanarity deviation: 0.004 inches max. | | | TOLERANCE | .X ± 0.15 .XX ± 0.10 .XXX ± 0.05 |
| | | | | | | | UNIT | m/m |
| | | | | | | | SCALE | 3 : 1 |
| | | | | | | | REV | 4 |
| | | | | | | | | |